
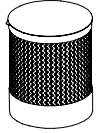

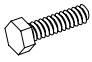

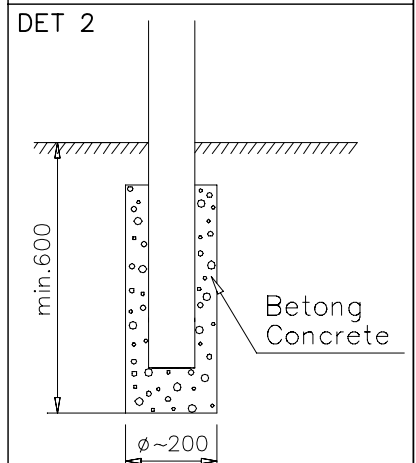
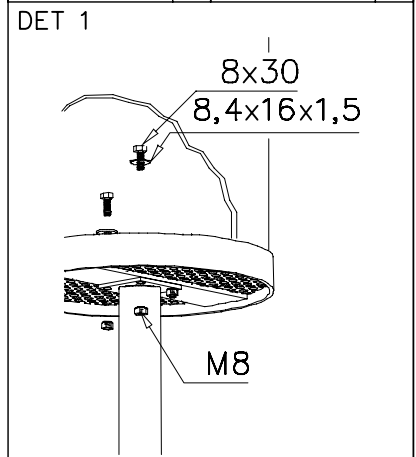
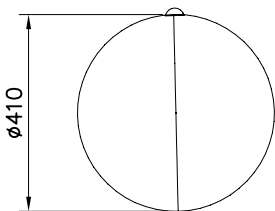
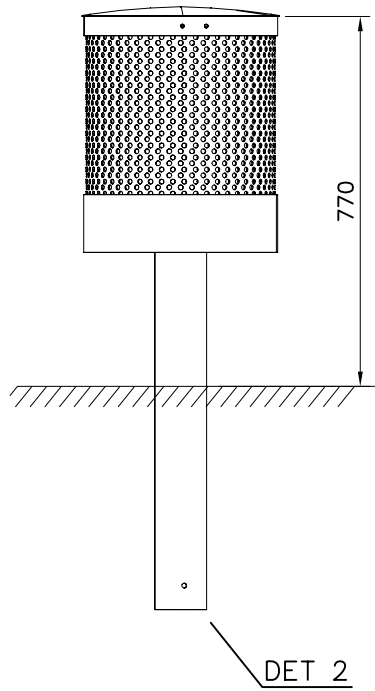
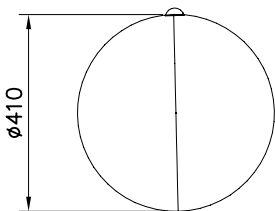
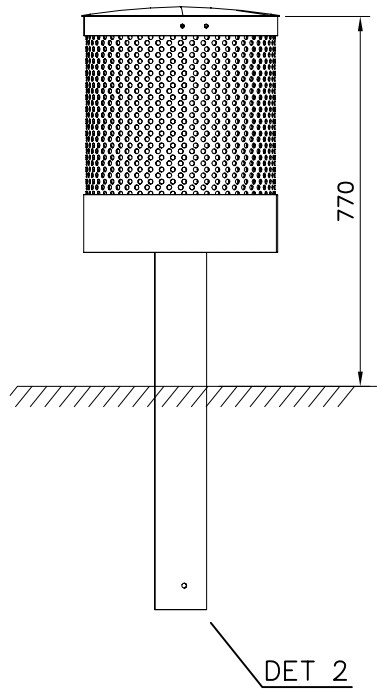
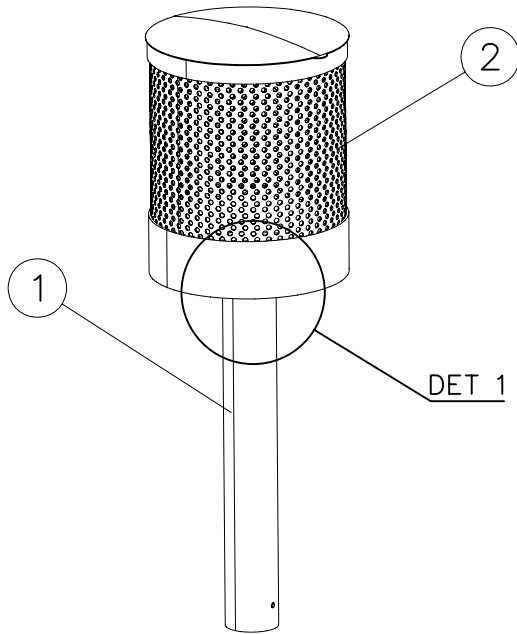

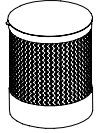

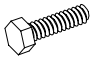



① N24852	ST	② N24851	ST
	1		1
③ N01800	ST	④ N01830	ST
	4		4
M8		8x30	
⑤ N03816	ST		ST
	4		
8,4x16x1,5			
	ST		ST





① N24852	ST	② N24851	ST
	1		1
③ N01800	ST	④ N01830	ST
	4		4
M8		8x30	
⑤ N03816	ST		ST
	4		
8,4x16x1,5			
	ST		ST

